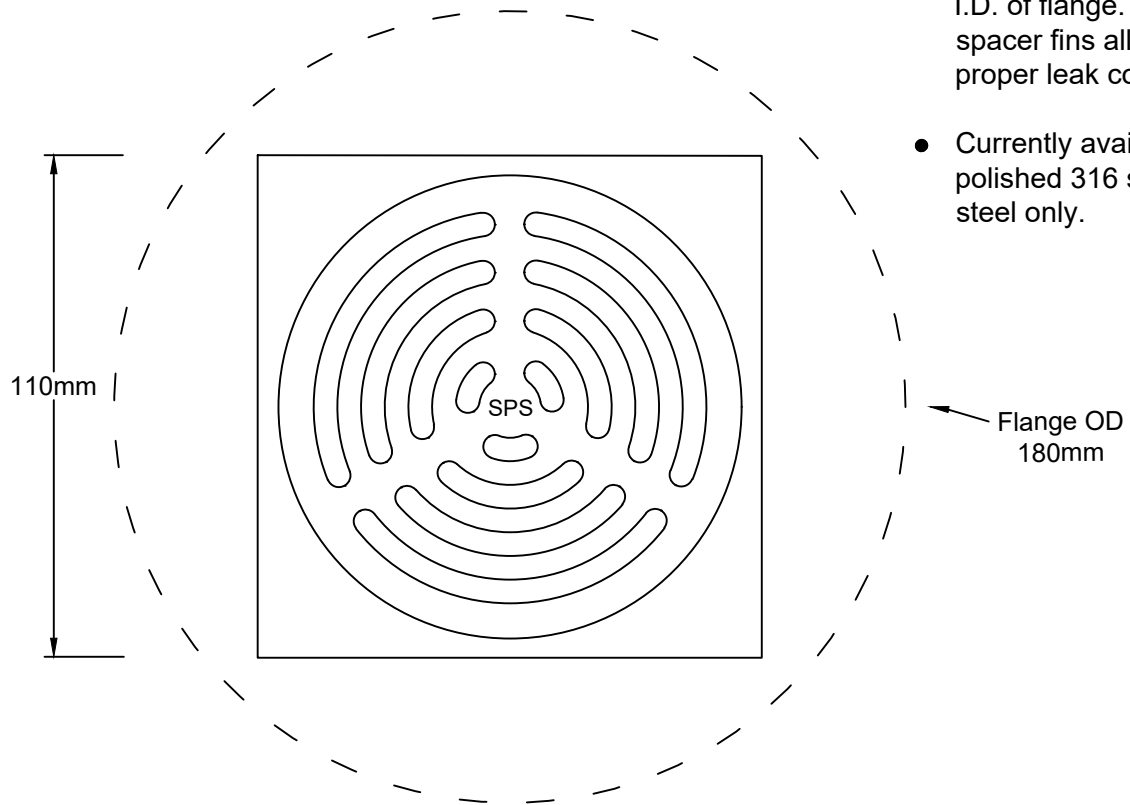


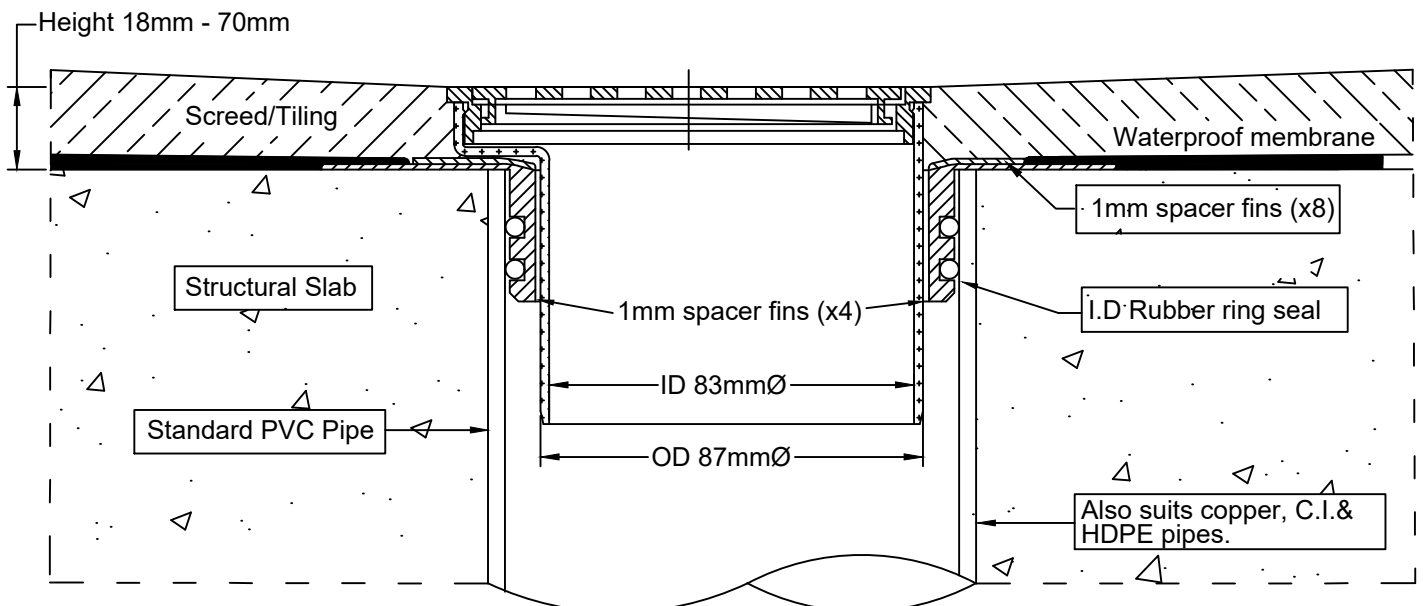
SPS Special Square Floor Waste with 100mm Lo-profile Retro-fit Puddle Flange

Specification codes:
 DG100SF2B/PF (Polished 316 Stainless Steel)
 Includes 100mm retro-fit puddle flange in ABS plastic

- Retro-fit puddle flange with ultra-thin face.
- Domestic-style floor waste assembly with PVC tail slips inside I.D. of flange. 1mm spacer fins allow for proper leak control.
- Currently available in polished 316 stainless steel only.



Typical Application



Metabronze Industries Ltd

Tel: (09) 4413824 E-mail: info@metabronze.co.nz Website: www.metabronze.co.nz